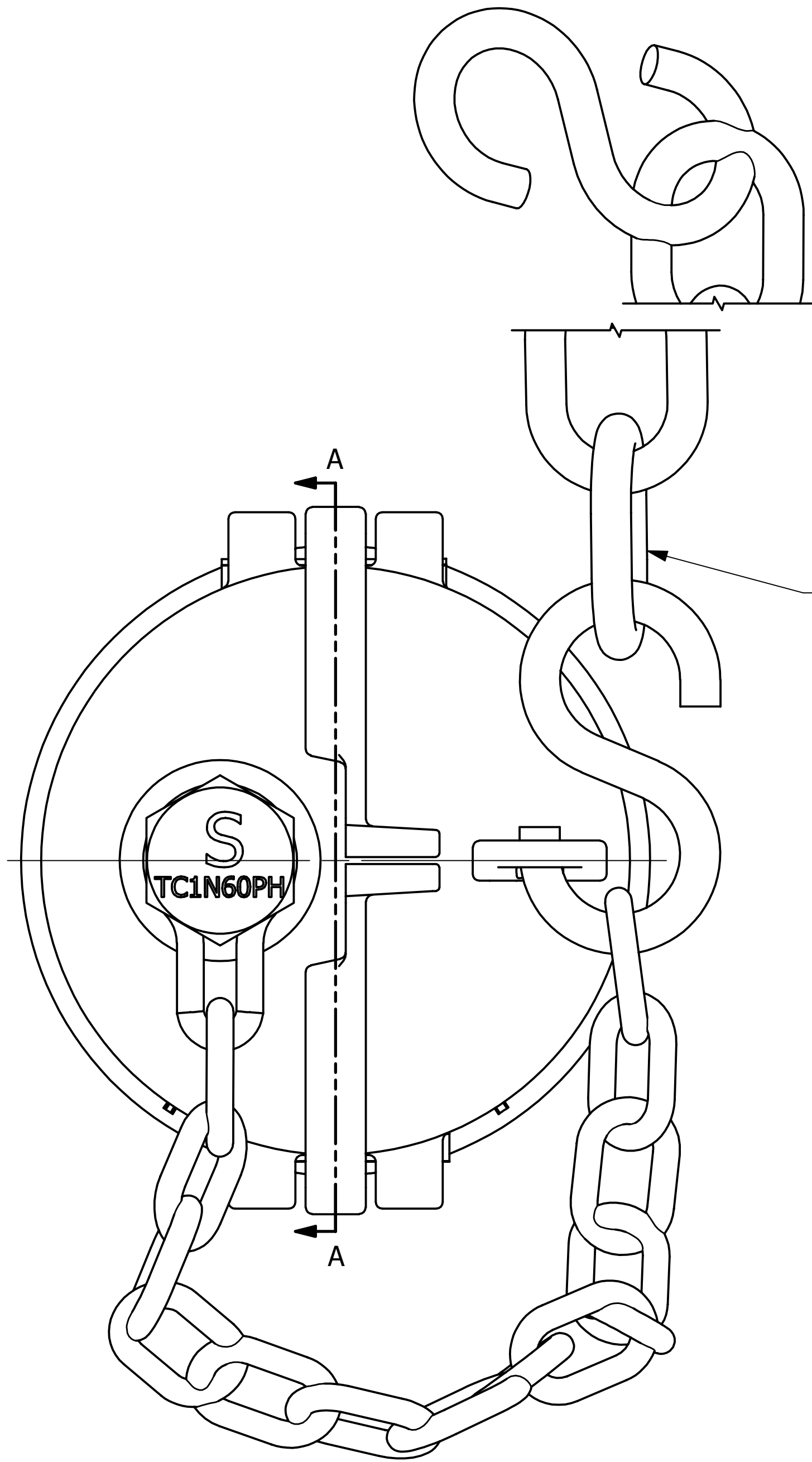
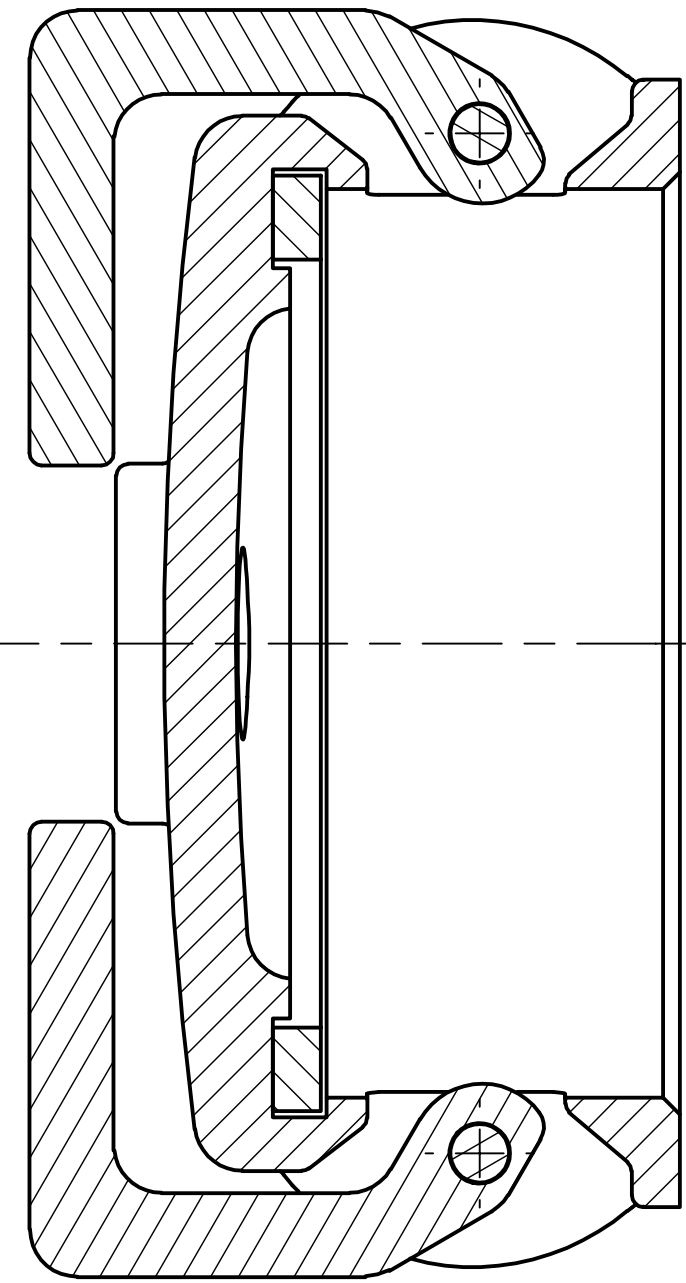
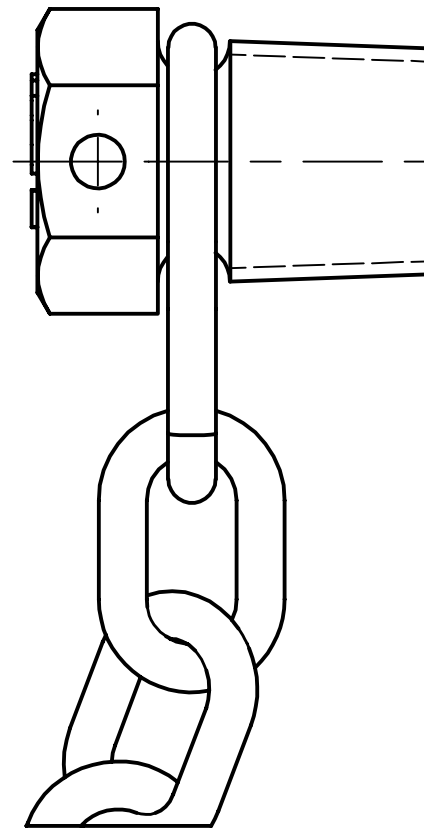


SALES DRAWING

SALES DRAWING



15 LINKS OF 3/8" STAINLESS STEEL CHAIN
APPROXIMATE LENGTH: 21"



SECTION A-A

- NOTES:
1. THIS ASSEMBLY IS NOT DOT APPROVED AND CAN BE USED ONLY ON AAR STENCILED CARS.
 2. AAR APPROVAL # E-139514.

REV	BY	DATE	DESCRIPTION
C	RJP	12-3-14	AAR APPROVAL WAS E-019022 MIL SPEC WAS MIL-C-27487G
B	TAJ	7-7-11	AAR APPROVAL # WAS E-039015
A	PJG	12-16-04	NEW PART ADDED TO SYSTEM

<small>UNLESS OTHERWISE SPECIFIED DIMENSIONAL TOLERANCES FRACTIONAL: ±1/16 X.XX: ±.03 X.XXX: ±.015 ANGLE: ±1° DEBURR ALL SHARP EDGES. ALL MACHINED SURFACES TO HAVE A 125 RMS FINISH UNLESS NOTED OTHERWISE.</small>	DRAWN BY:	PJG
	CHECKED BY:	ACC
	PROTOTYPE BY:	PJG
	PROTOTYPE DATE:	12/16/2004
	APPROVED FOR PRODUCTION BY:	PJG
	PRODUCTION DATE:	12/16/2004

SALCO PRODUCTS, INC.		
PART NAME: QUICK CONNECT CAP 4" KAMMED		
MATERIAL: 316 SS		
PROJECT #:	WAG0207	SHEET #: 1 OF 1
DRAWING #:	C19950	SCALE: 1:1
PART #:	K4SN62CDC2A	